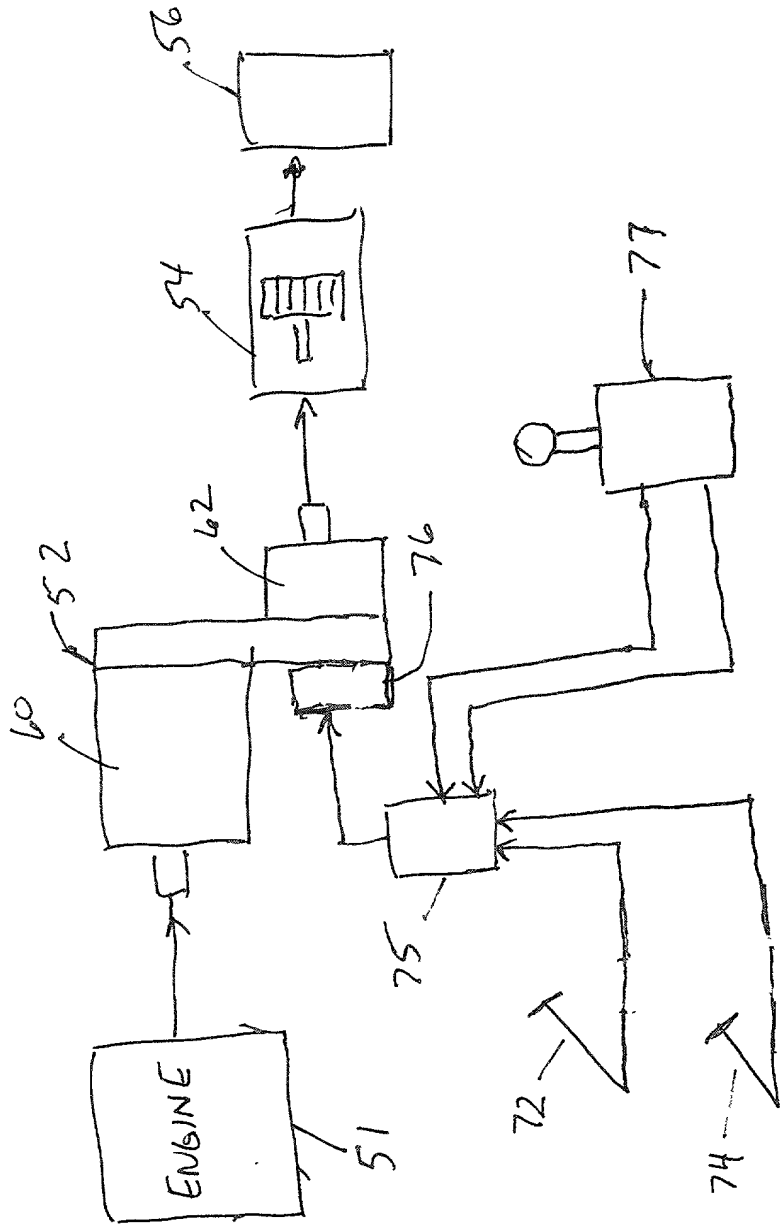


FIG 1

FIG. 2



FOOT OF SOUTHOOT

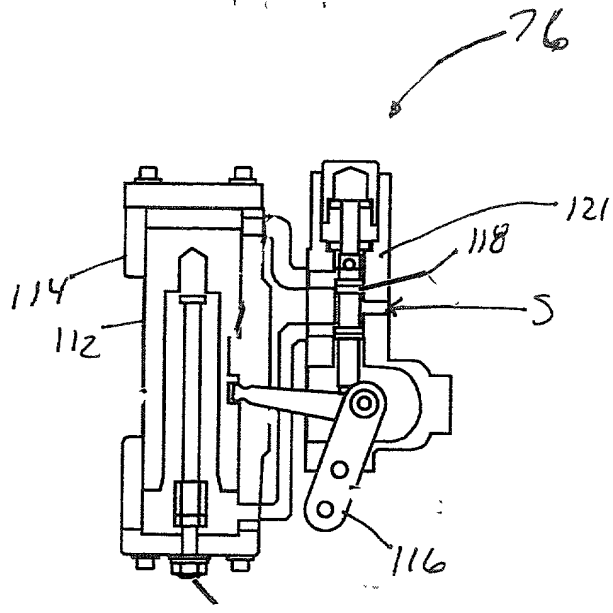


FIG. 3

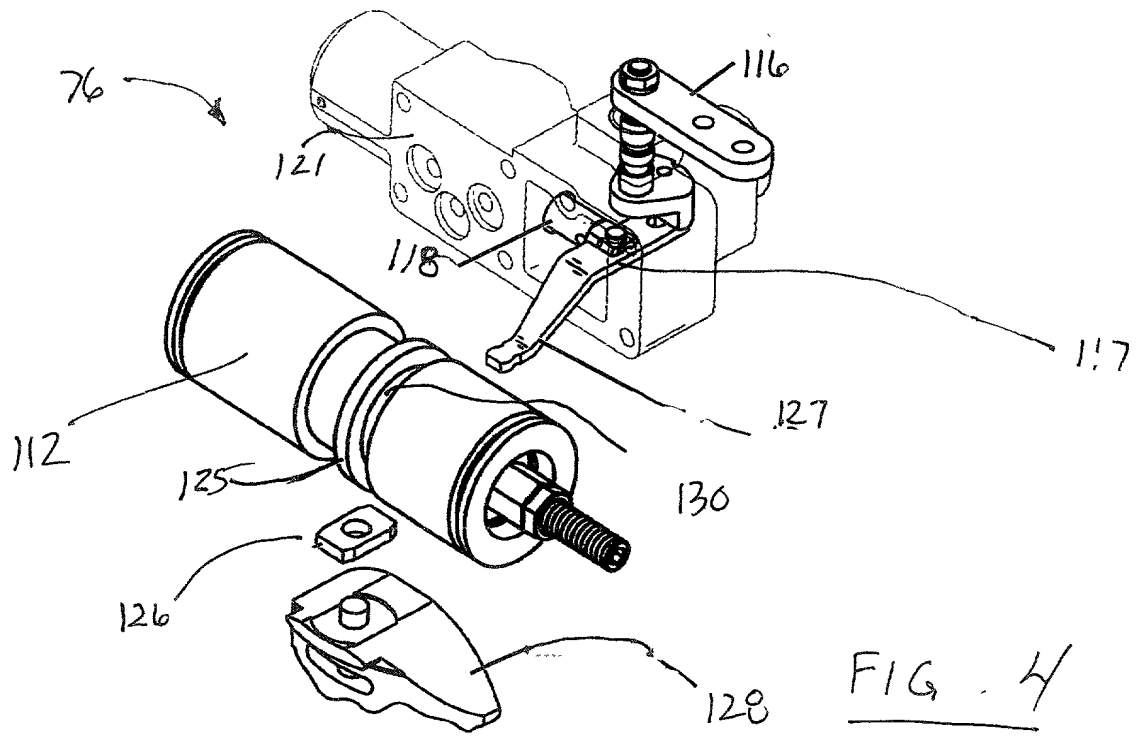
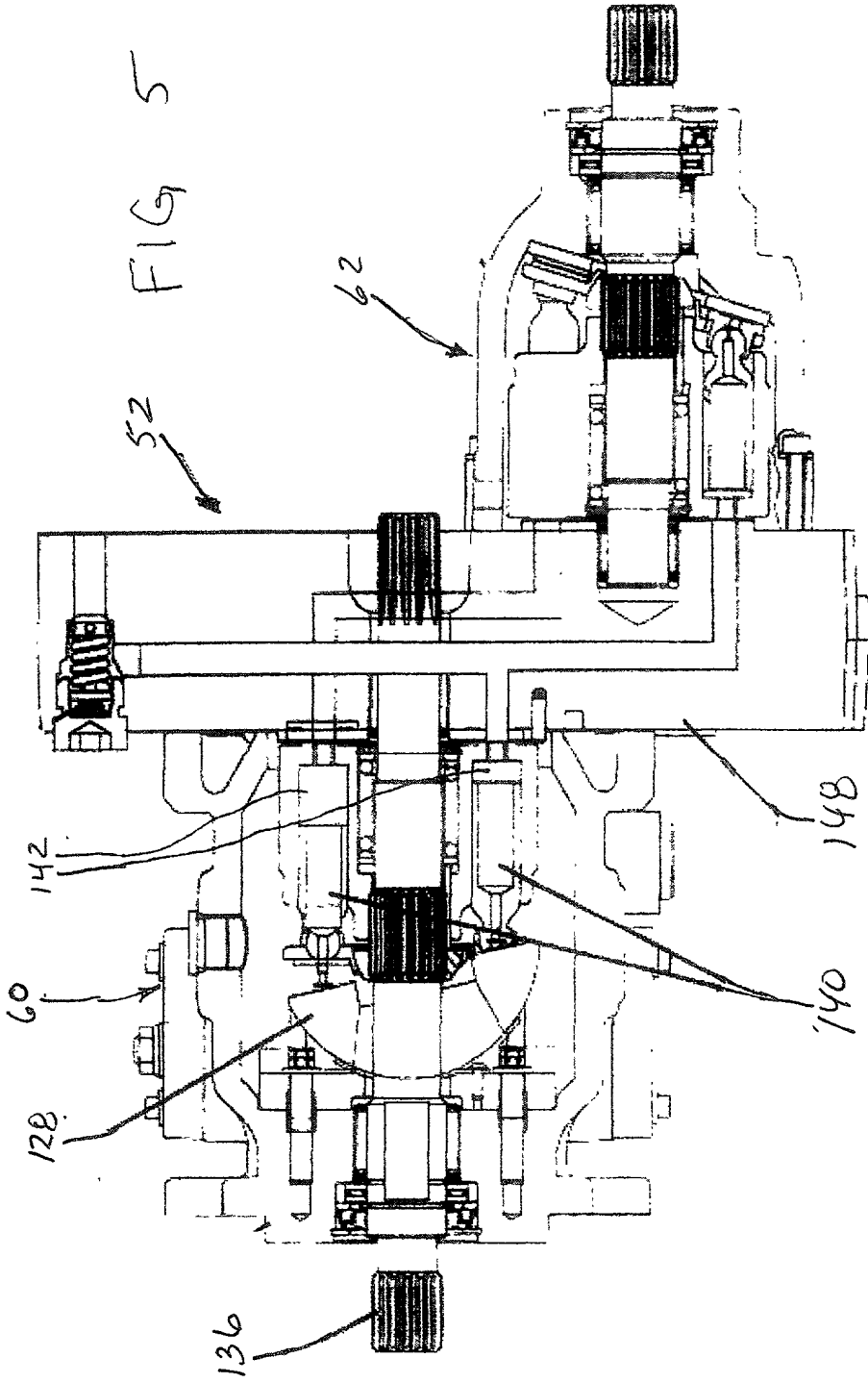


FIG. 4



ROBOT SUPPORT

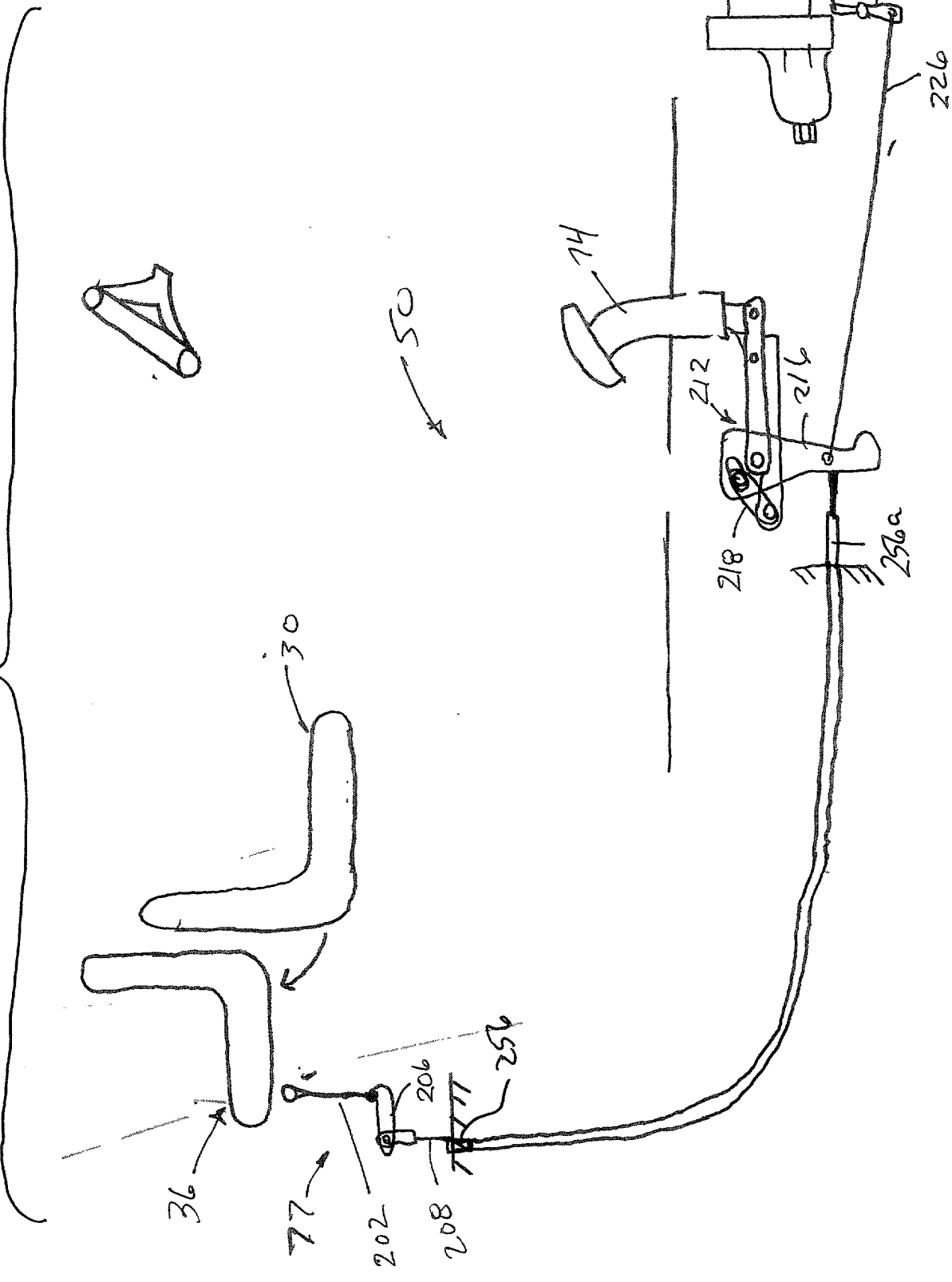


FIG 6

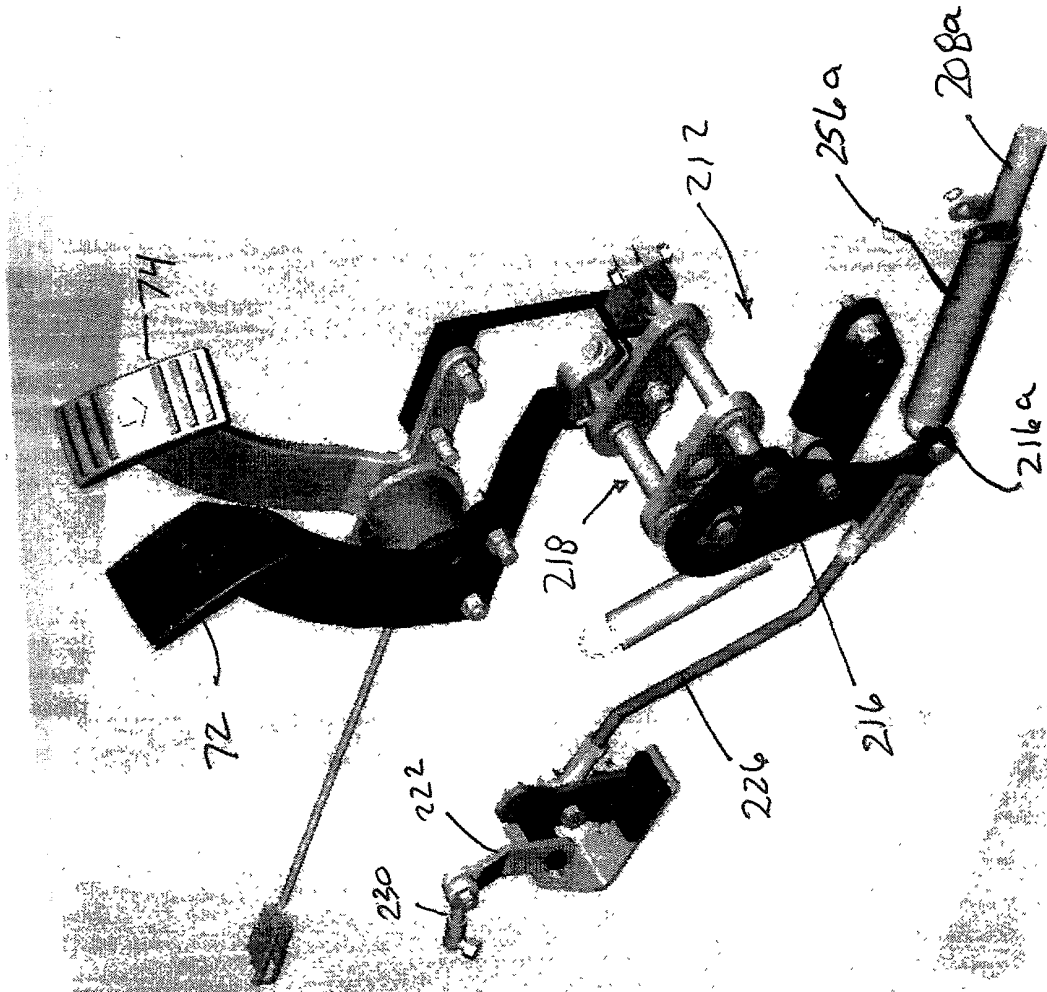


FIG 7

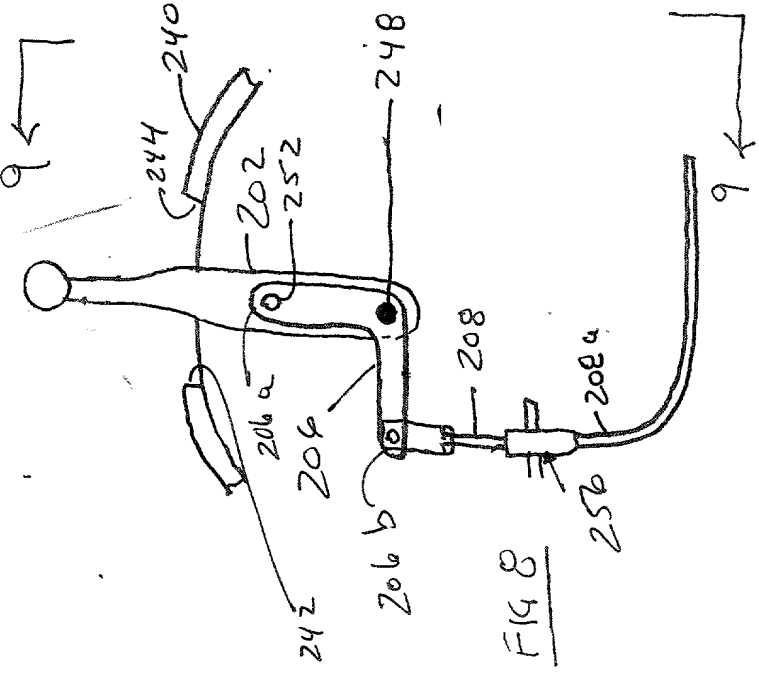


FIG 8

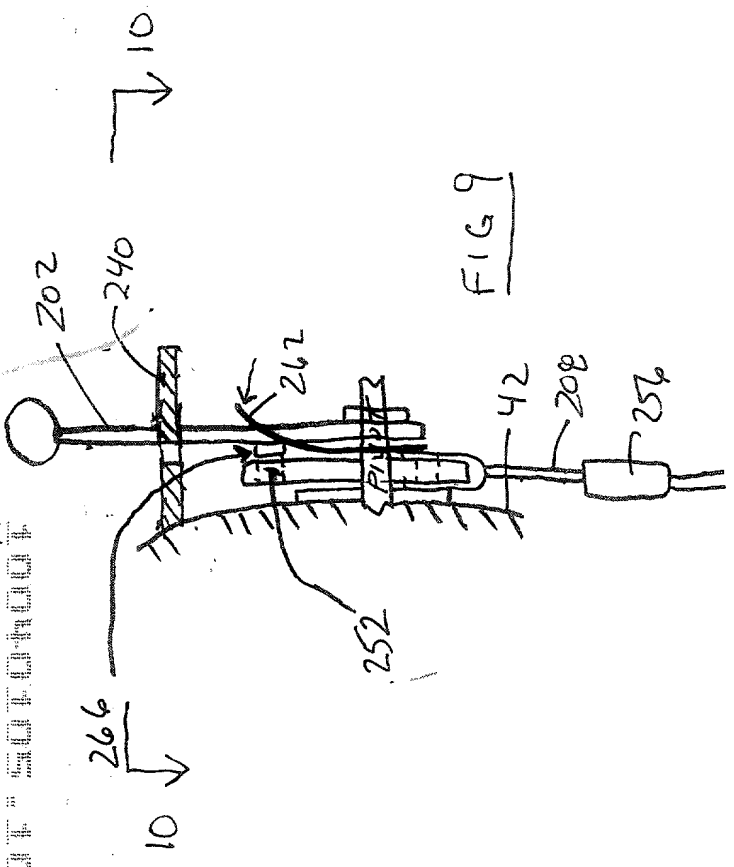


FIG 9

← N →

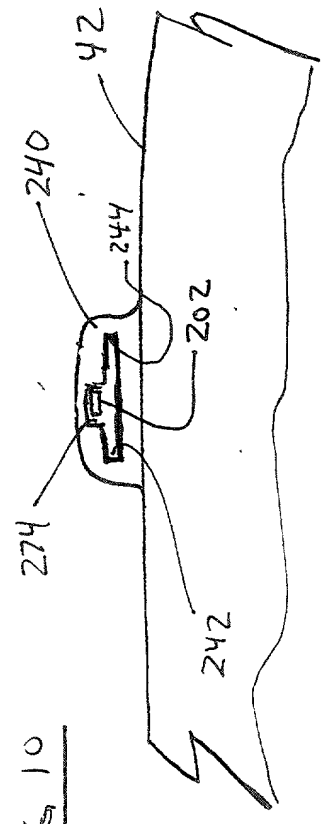


FIG 10

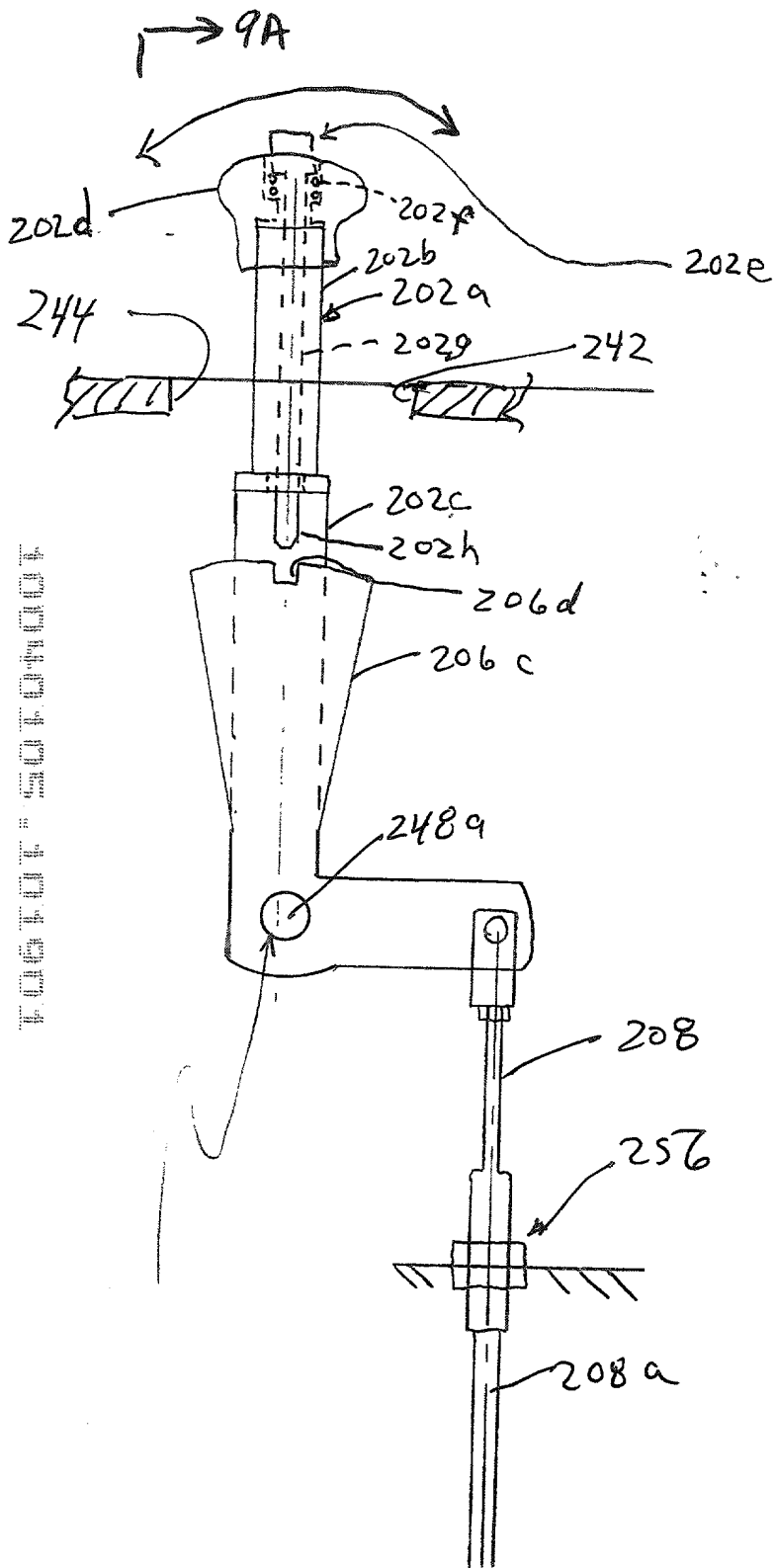


FIG 8A

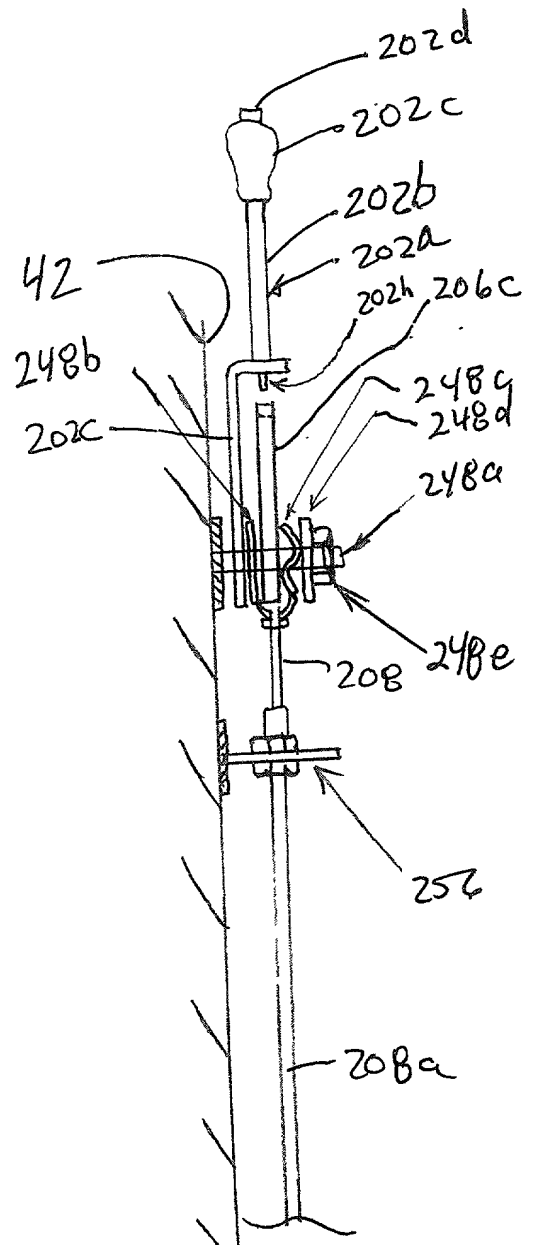
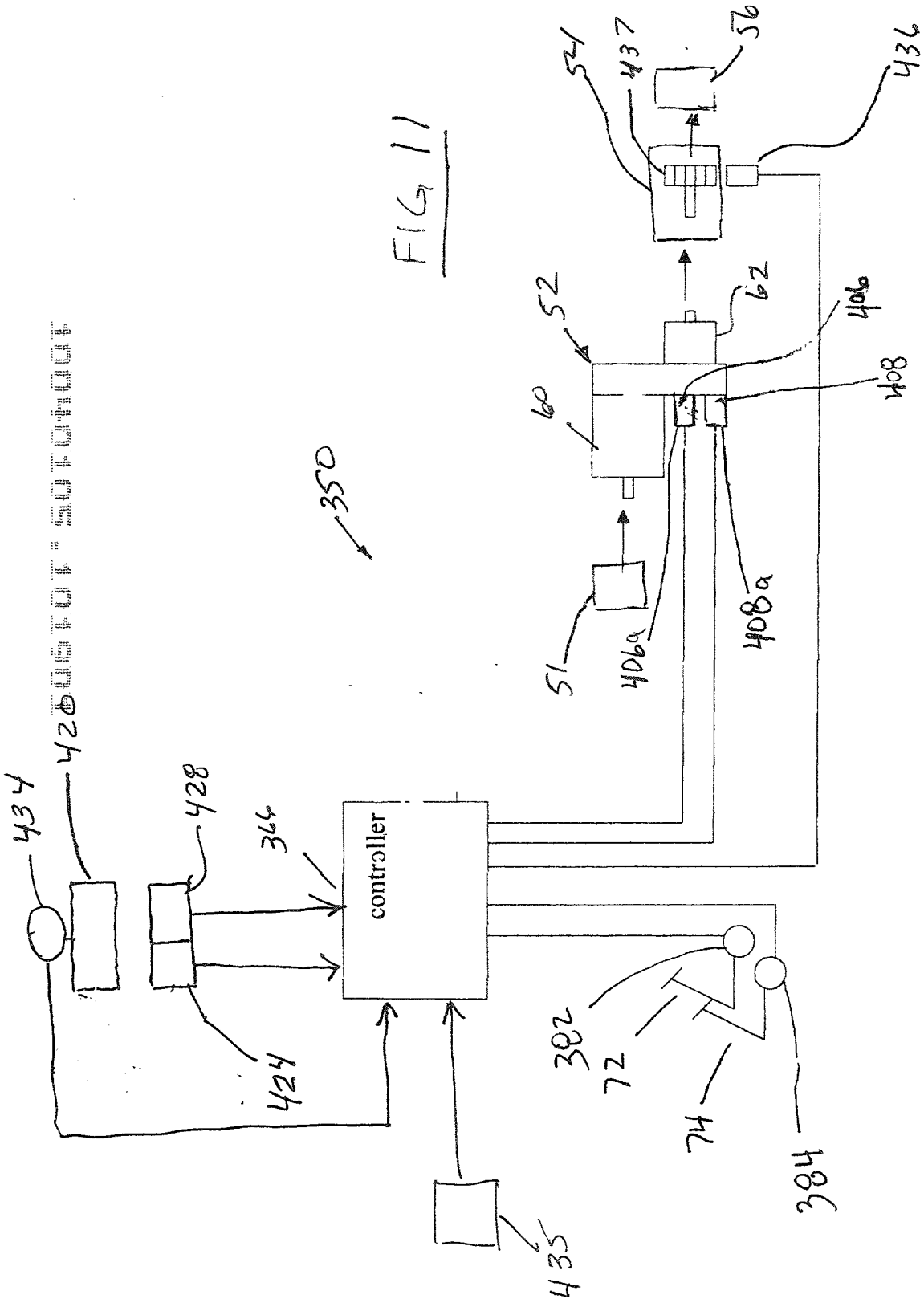
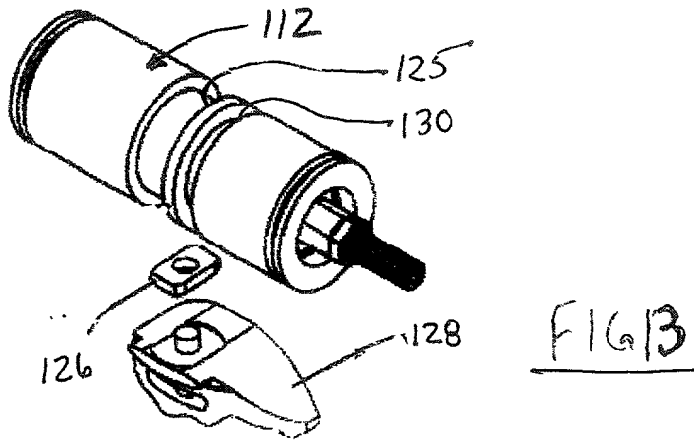
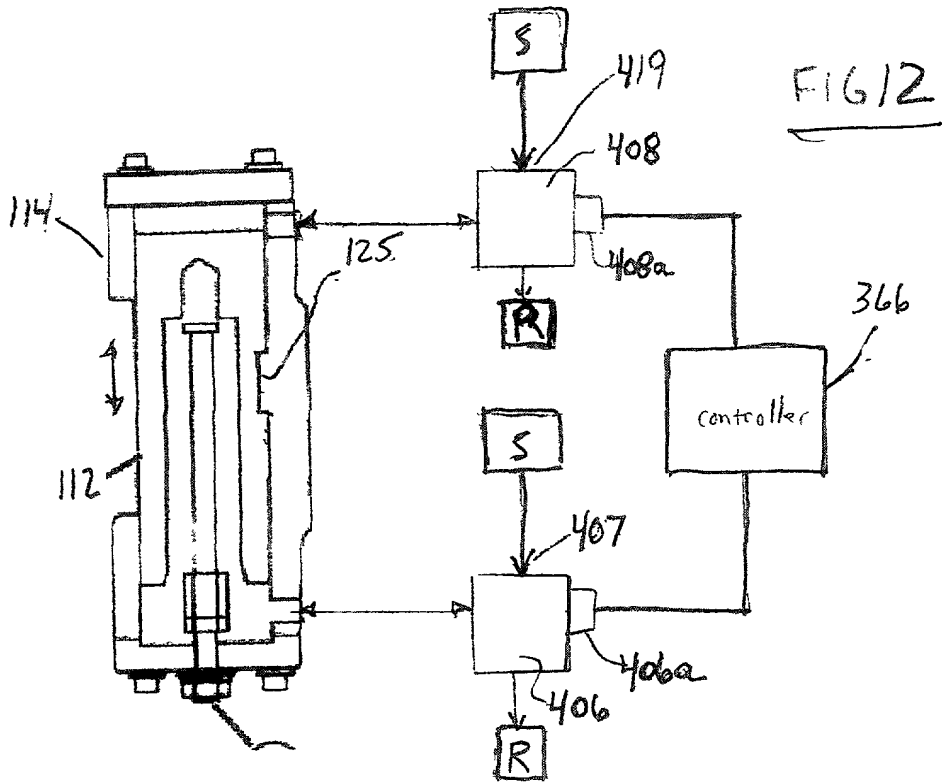


FIG 9A







FOR SET POINT

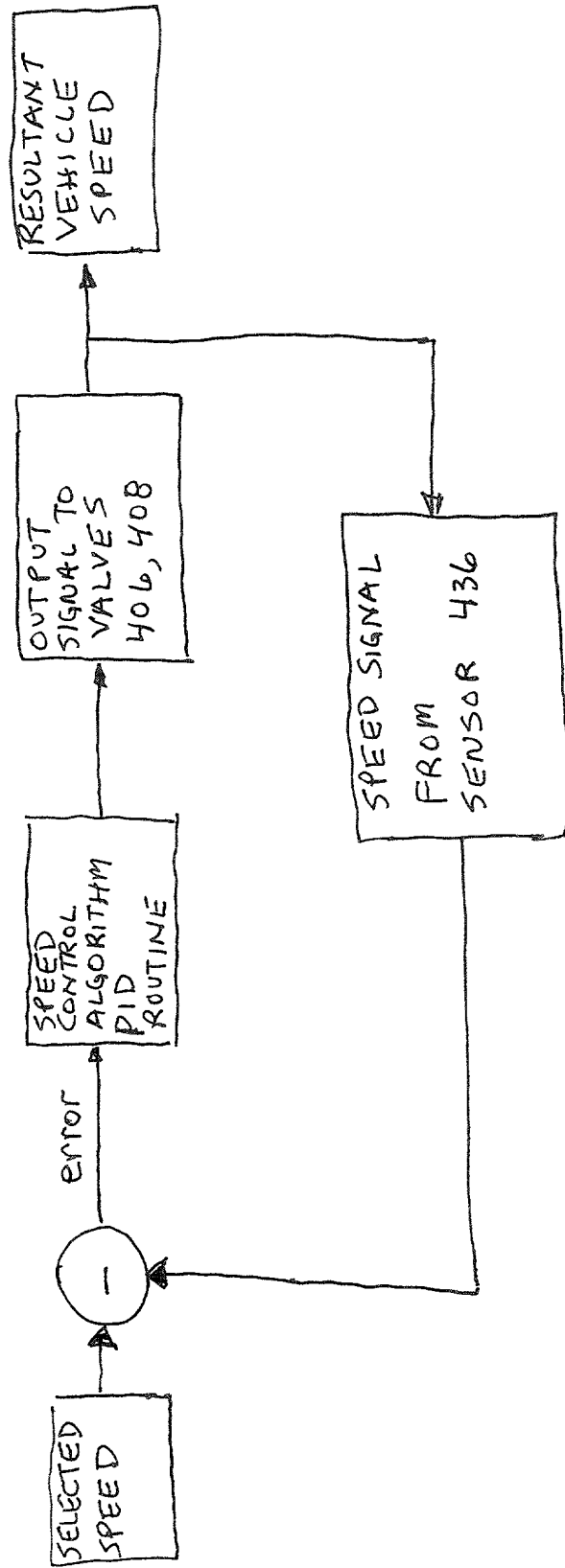
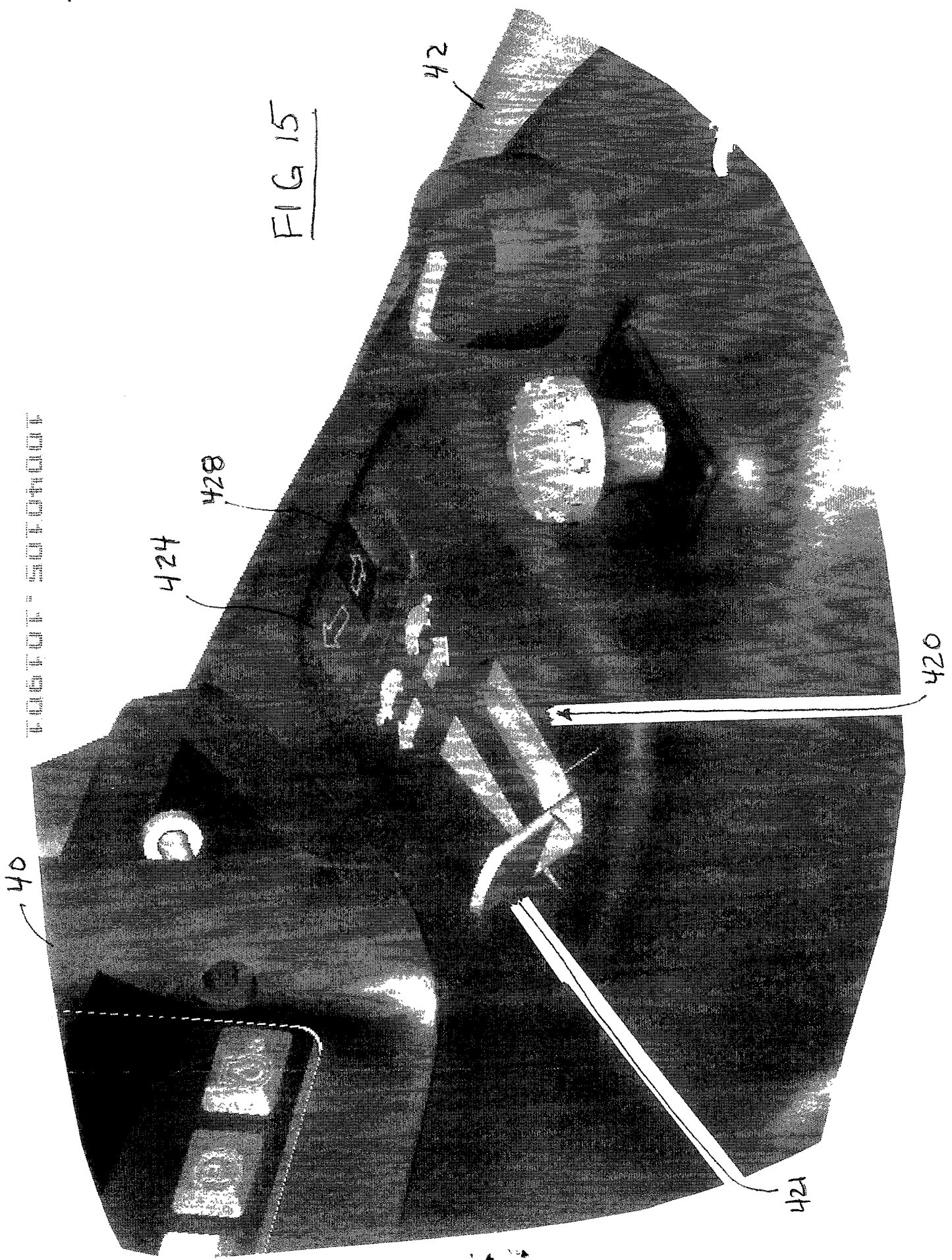


FIG 14

FOOT SUPPORT

FIG 15



40

424

428

42

420

421

